

MDU Enclosures

Inventronics Limited



specifications

Standard Sizes Include

(HxWxD)

12x10x6

12x12x8

12x12x10

12x12x6

16x16x8

16x16x10

16x16x6

24x20x8

24x20x10

18x12x6

24x24x8

24x24x10

24x24x6

36x24x8

36x24x10

36x36x6

36x36x8

36x36x10

(sizes shown are in inches)

Custom sizes always available

MDU Enclosures

1420 Van Horne Ave E / Brandon, MB Canada / R7A 7B6 / 204-728-2001



specifications

- **Accessories Include**

- 16ga CRS pem rivet assembly
- polyester powder paint grey
- 3/4" treated plywood backboard
- quarter turn locking provisions
- door gasket
- full length stainless steel piano hinge
- ground lug
- wall mount or pad mount provisions

MDU Enclosures

1420 Van Horne Ave E / Brandon, MB Canada / R7A 7B6 / 204-728-2001



specifications

- **Options Include**

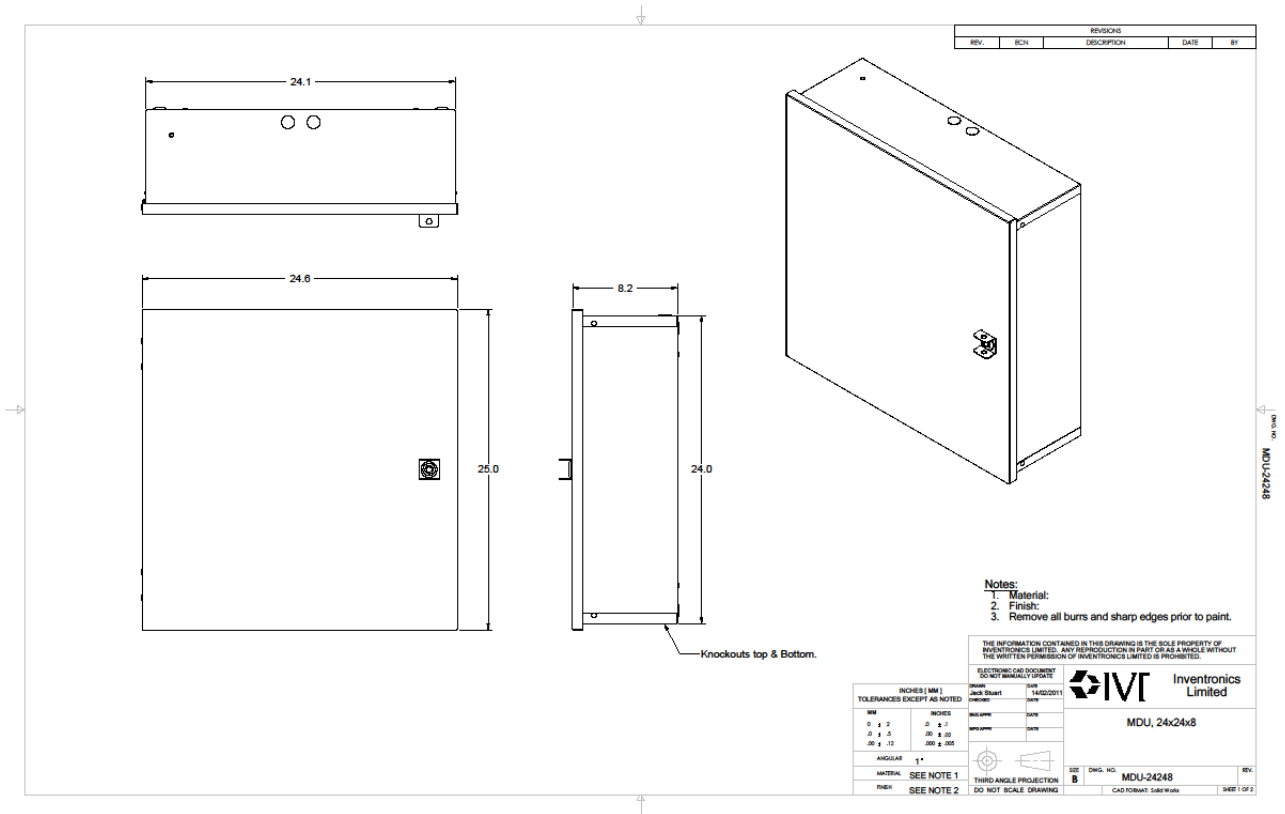
- louvered doors
- bug screen
- padlock provisions
- custom cutouts and knockouts
- metal backboard
- custom grounding
- paint colors
- weld assembly
- open back concept

MDU Enclosures

1420 Van Horne Ave E / Brandon, MB Canada / R7A 7B6 / 204-728-2001



24x24x8 wall mount



Shown Above
24x24x8 MDU (wall mount)

Options Include
Custom Knockouts (top & bottom)
Padlock Bracket

MDU Enclosures

1420 Van Horne Ave E / Brandon, MB Canada / R7A 7B6 / 204-728-2001



12x10x8 wall mount



MDU Enclosures

1420 Van Horne Ave E / Brandon, MB Canada / R7A 7B6 / 204-728-2001



12x12x10 pad mount

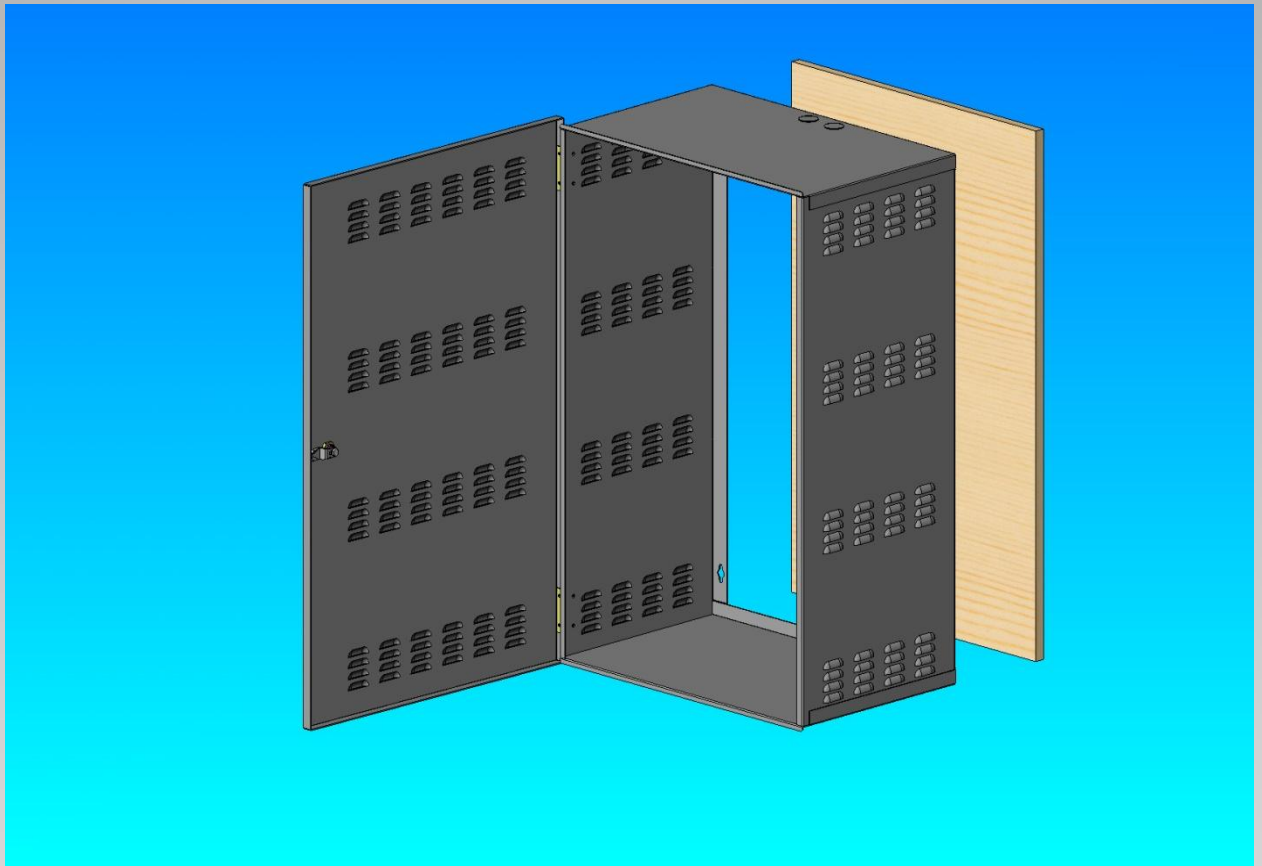


MDU Enclosures

1420 Van Horne Ave E / Brandon, MB Canada / R7A 7B6 / 204-728-2001



36x24x10 open back with louvers



MDU Enclosures

1420 Van Horne Ave E / Brandon, MB Canada / R7A 7B6 / 204-728-2001

